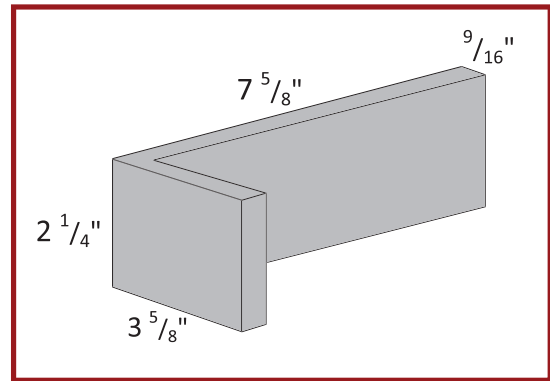
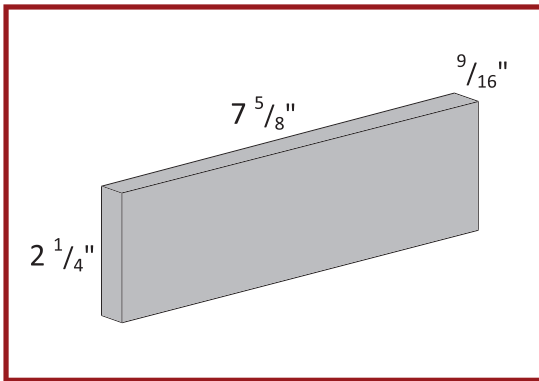


Specifications

| | Dimensions | Pieces per Sq. Ft. | Pieces per Box | Sq. Ft. per Box | Weight per Box |
|-------------|--|--------------------|----------------|-----------------|----------------|
| Flats | $2\frac{1}{4}'' \times 7\frac{5}{8}'' \times \frac{9}{16}''$ | 6.86 | 50 | 7.3 | 35 lbs. |
| 90° Corners | $2\frac{1}{4}'' \times 7\frac{5}{8}'' \times 3\frac{5}{8}'' \times \frac{9}{16}''$ | 5 per Lineal Ft. | 24 | 4.8 Lineal Ft. | 20 lbs. |

*Footage is based on $\frac{3}{8}''$ grout joints spacing.



Recommended systems for application:

| SYSTEM | SKU/Item Number |
|----------------------------|-----------------|
| Old Mill Thin Brick System | PK-56025 |
| BRICKLATH™ | L-025 |

Old Mill Brick, LLC
 1-888-264-MILL (6455)
installthinbrick.com

